

ROCHESTER, NEW HAMPSHIRE

CODE ENFORCEMENT DEPARTMENT
DIVISION OF BUILDING INSPECTION

TELEPHONE: 603-332-3508

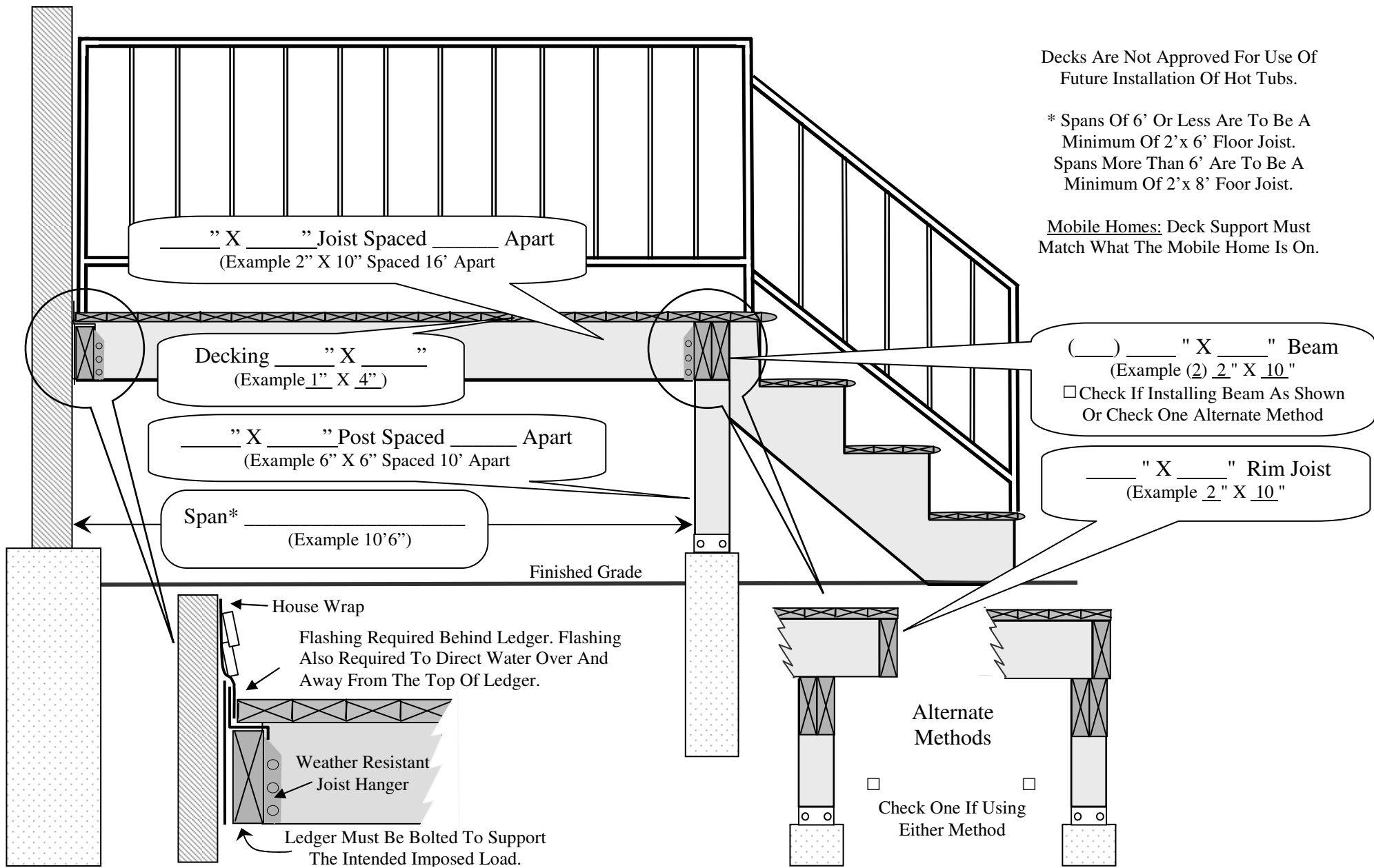
FAX: 603-332-8601

Deck Handout

Based On 2000 ICC IRC

Page 1 of 3

For Residential Use Only



ROCHESTER, NEW HAMPSHIRE

CODE ENFORCEMENT DEPARTMENT
DIVISION OF BUILDING INSPECTION

TELEPHONE: 603-332-3508

FAX: 603-332-8601

Deck Handout

Based On 2000 ICC IRC

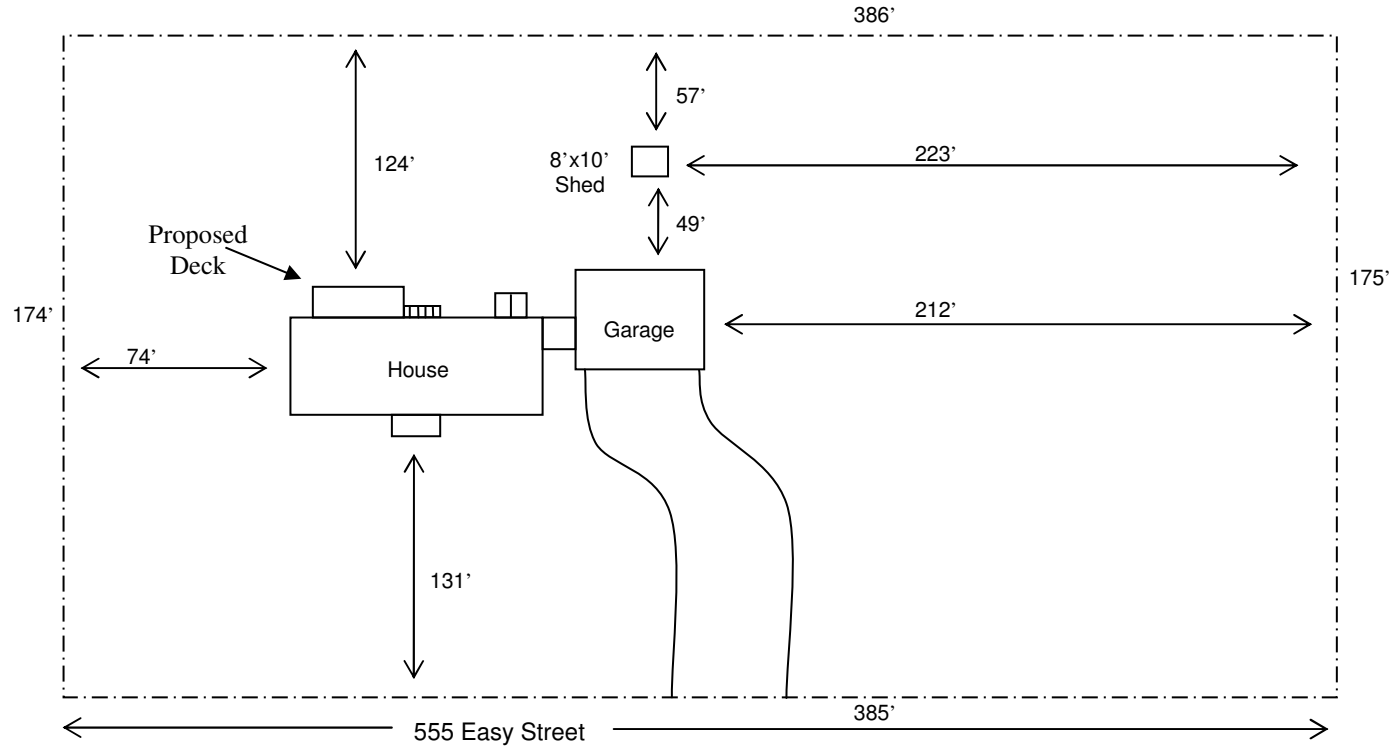
Page 2 of 3

For Residential Use Only

Setbacks:

	Front Yard	Side Yard	Rear Yard	Distance From Other Buildings/Structures
Agricultural	35'	25'	50'	10'
Residential 1	25'	10'	25'	10'
Residential 2	15'	8'	25'	10'
Mobile Home Park	20'	15'	15'	10'

A site plan must accompany the application for the Deck.



Sample Site Plan



ROCHESTER, NEW HAMPSHIRE

CODE ENFORCEMENT DEPARTMENT
DIVISION OF BUILDING INSPECTION

TELEPHONE: 603-332-3508

FAX: 603-332-8601

Deck Handout

Based On 2000 ICC IRC
Page 3 of 3
For Residential Use Only